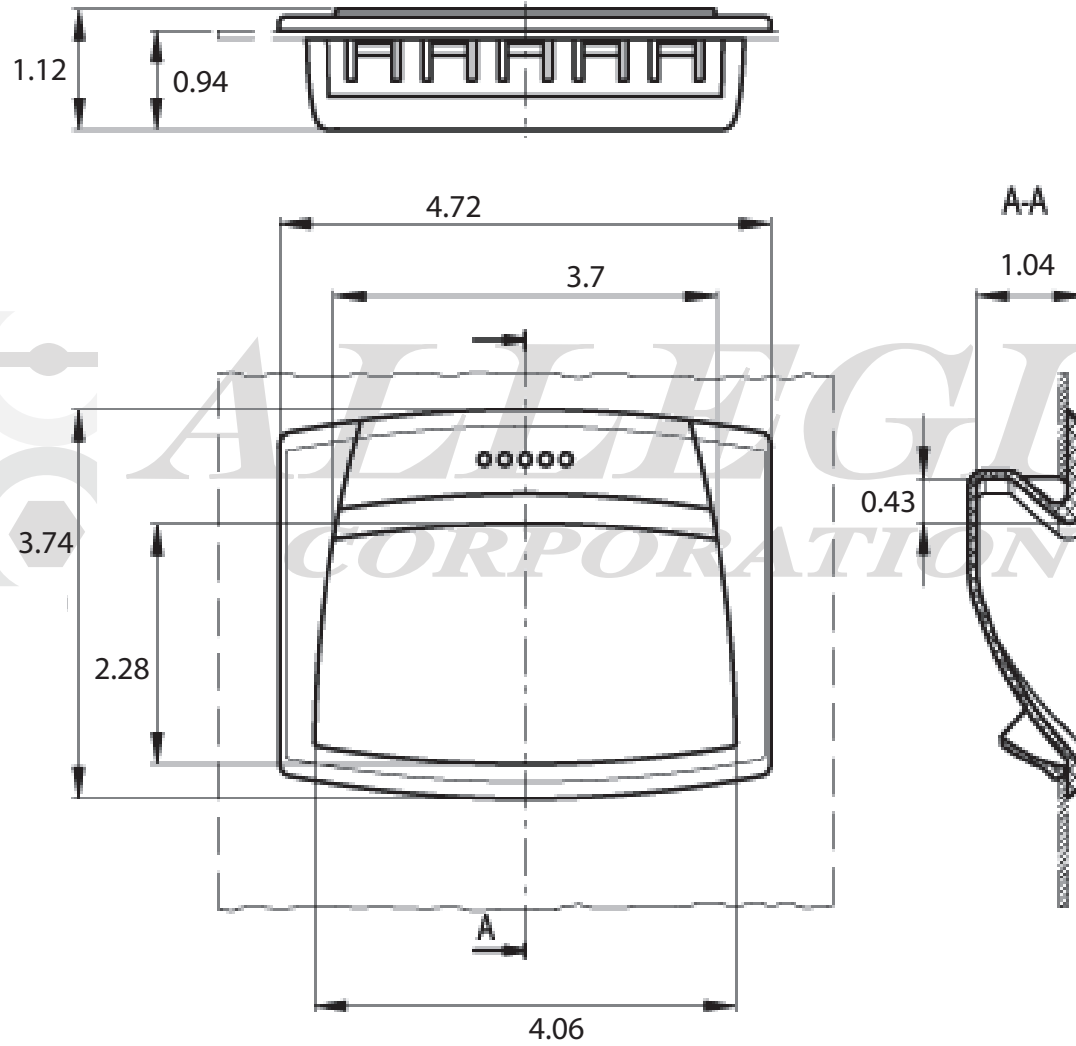


APPROVAL - CUSTOMER NAME & SIGNATURE

DATE



www.ALLEGISCORP.com
1-866-378-7550

MATERIAL / FINISH :

Glass-fiber reinforced polyamide

REV. :

1 : 1

DATE :

8-1-2016

DESCRIPTION :

Pull Handle

DRAWING NO. :

261111-C1